

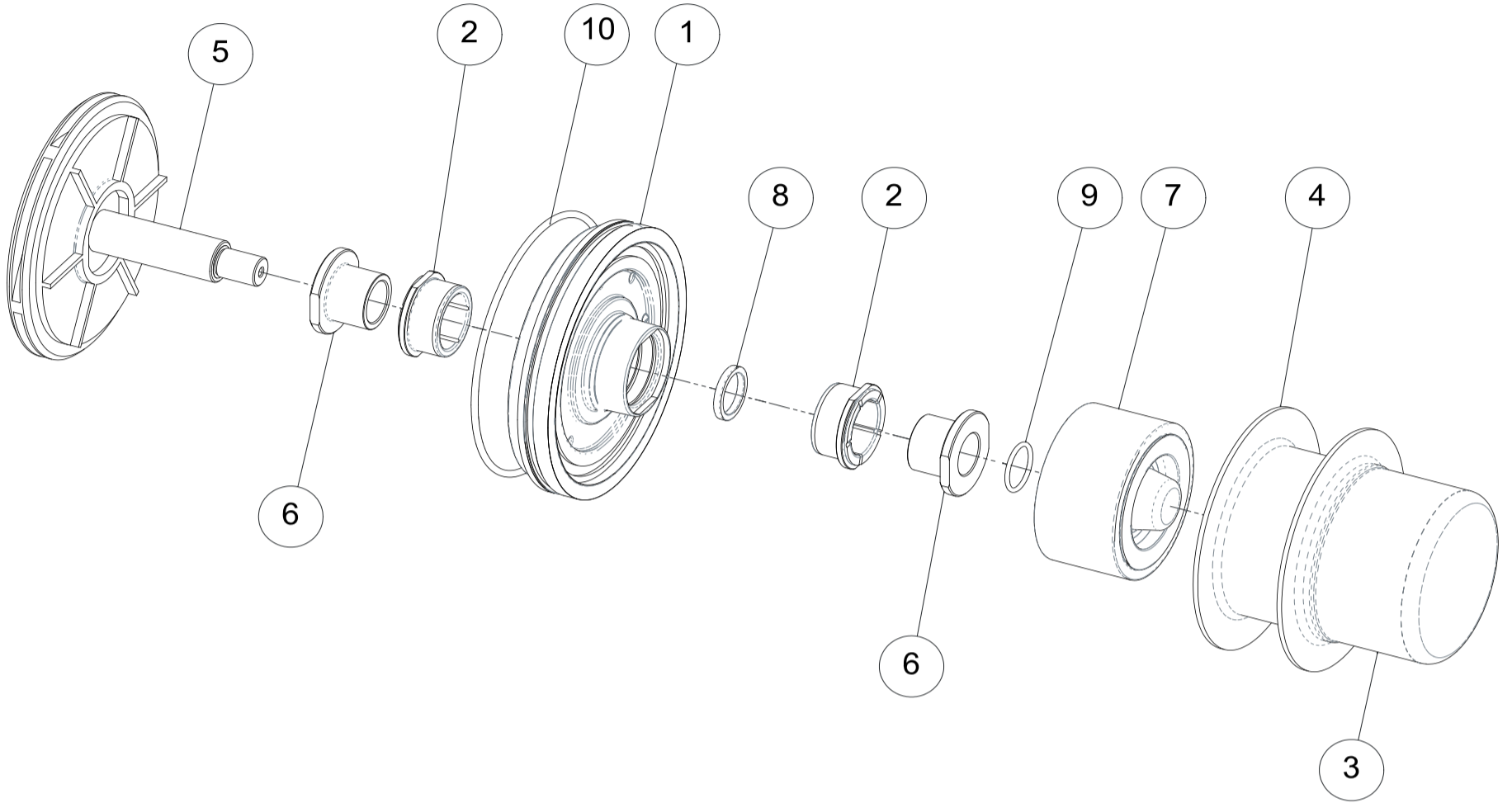


PUMP MODEL: CL MAG-M

ITEM: RWP EXPLODED VIEWS

CODE: /

E10999



EXPLODED VIEW

N°	DESCRIPTION	IDENTIFICATION		
		COMPONENT CODE	MATERIAL	QUANTITY
1	Shaft support	XX-160	56130C303BAW	1
		XX-200	56130C303CAW	
2	Front / Resr Bushing	CL MAG-M 1^R	90310S5931	2
3	Rear Casing Cover	CL MAG-M 1^R	93050C303AFC	1
4	Rear Casing	CL MAG-M 1^R	50810C304BPS	1
5	Impeller	50-32-160	55710C8BW145486	1
		50-32-200	55710C8CW148719	
		80-50-160	55710C8BW148674	
		80-50-200	55710C8CW141406	
6	Sleeve Bushing	CL MAG-M 1^R	902204546S	2
7	Internal magnet	"N"	55820C3001SW	1
		"P"	55820C3002SW	
8	Sleeve Bushing spacer	CL MAG-M 1^R	50310W410178	1
9	O-Ring 3112/BS122	-	92910M2824	1
10	Pump casing Gasket	XX-160	91510P200180	1
		XX-200	91510P225210	